

GeoVision Accessories



GeoVision Accessories Overview

- GV-NET Card
- GV-NET/IO Card
- GV-IO 12-in Card
- GV-IO 12-out Card
- GV-Loop Through Card
- GV-Multi Quad Card
- GV-COM
- GV-IO
- GV-RELAY
- GV-Hub
- GV-Keyboard
- GV-IR Remote Control
- GV-Video Server
- GV-Data Capture V3E

GV-NET Card



- The GV-NET card allows you to control PTZ cameras within the software interface. This card is compatible with ALL GeoVision DVR cards.
- The two different type of connections used to convert data on this card are the RS-232 connection and the RS-485 connection.
- [Installation Manual](#)

GV-NET/IO Card



- The GV-NET/IO card allows you to control PTZ cameras within the software interface just like the GV-NET card, but this card adds 4 digital input channels and 4 relay output channels. This card is compatible with the GV-600, GV-650, GV-800, GV-1120, GV-1240, and GV-1480 DVR cards.
- The two different type of connections used to convert data on this card are the RS-232 connection and the RS-485 connection.
- [Installation Manual](#)

GV-IO 12-in Card



CE FC

- The GV-IO 12-in card offers 12 inputs and provides an interface for external devices such as sensors and detectors. The GV-NET/IO card is required for use when using this card.
- The GV-600, GV-650, GV-800, GV-1120, GV-1240, and GV-1480 DVR cards are the only compatible models for use with the GV-IO 12-in card.
- [Installation Manual](#)

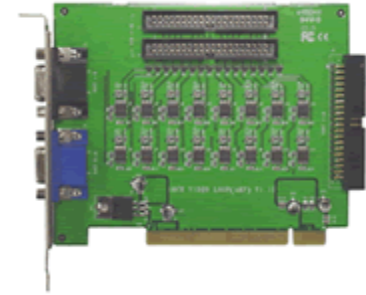
GV-IO 12-out Card



CE FC

- The GV-IO 12-out card offers 12 relay outputs and provides an interface for external devices such as alarms and gates. The GV-NET/IO card is required for use when using this card.
- The GV-600, GV-650, GV-800, GV-1120, GV-1240, and GV-1480 DVR cards are the only compatible models for use with the GV-IO 12-out card.
- [Installation Manual](#)

GV-Loop Through Card



- The GV-Loop Through card offers 16 input channels. This card is designed to take the video signal directly from a GV Capture Card, without internal device processes, and then split it into 16 signals while maintaining video quality.
- [Installation Manual](#)

GV-Multi Quad Card



- The GV-Multi Quad card is designed to alert security personnel visually through 5 additional TV screen outputs including a main monitor and 4 other call monitors. This is the TV monitor layout:
 - Port 1: Supports up to 16 screen divisions.
 - Port 2 ~ Port 5: Supports 1 and 4 screen divisions.
- The GV-250, GV-600, GV-650, GV-800, GV-1120, GV-1240, GV-1480, GV-2004 and GV-2008 DVR cards are compatible with the GV-Multi Quad card.
- [Installation Manual](#)

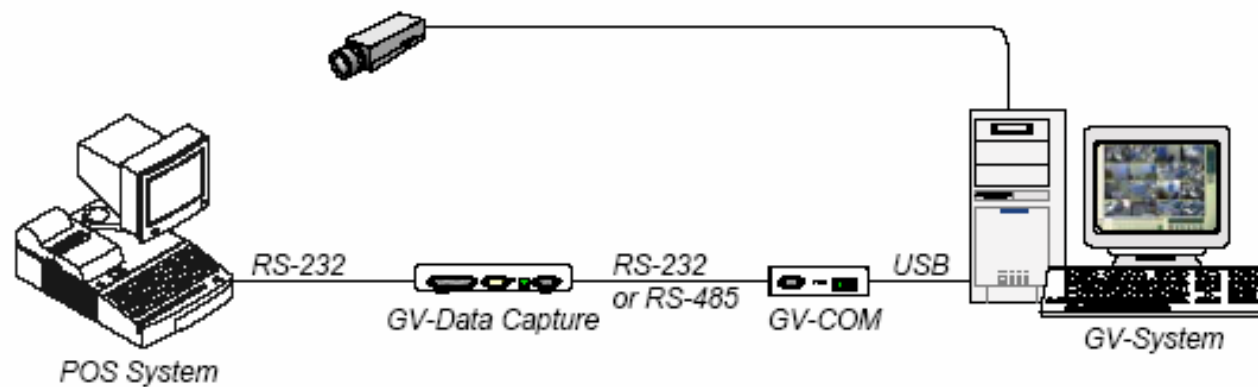
GV-COM



- The GV-COM adds 1 RS-232/RS-485 data conversion serial port through your computer's USB port. This is good for POS applications.
- [Installation Manual](#)

Note: For connection, you can only choose RS-232 or RS485.

1. POS system:



GV-IO



CE FC

- The GV-IO is a digital input / output controller. It offers 8 inputs and 16 outputs. The relay contacts provide an interface to your external devices such as sensors and detectors.
- The GV-IO communicates through the GV-NET with an RS-485 connection.

GV-RELAY



- The GV-RELAY is used to control your alarm or PTZ cameras and connects to the control source of the GV-IO output.
- The GV-RELAY offers 8 relay outputs.

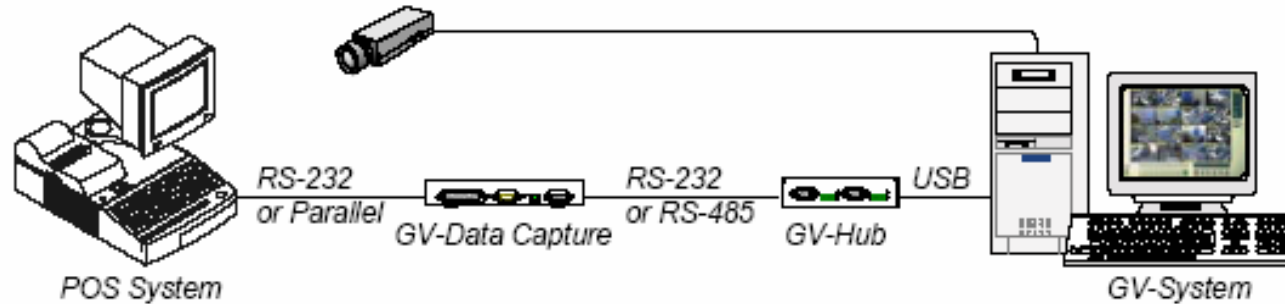
GV-Hub



CE FC

- The GV-Hub adds 4 RS-232 and 4 RS-485 serial ports to your PC's USB port. This is good for POS applications.
- [Installation Manual](#)

1. POS system:



GV-Keyboard

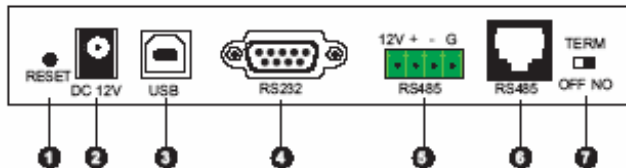


CE FC

- The GV-Keyboard is used to program and operate GV-systems. It communicates through RS-232 or RS-485 connections. Through RS-485 configuration, it can control up to 16 additional GV-systems.
- [Installation Manual](#)

System Connections

Rear Panel Overview

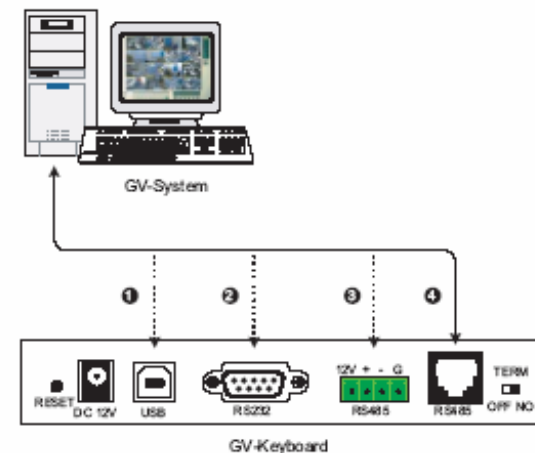


1	Reset	Resets the keyboard when it does not respond to commands.
2	DC IN 12V Power	Connects to the AC adaptor's DC output plug.
3	USB Port	Connects to GV-System.
4	RS-232 Port	Connects to GV-System.
5	Terminal Block	The terminal block carries RS-485 signals. It can connect up to 16 additional GV-Systems.
6	RJ-11 Port	The RJ-11 port carries RS-485 signals. Through the wall terminal block, it can connect up to 16 additional GV-Systems.
7	Terminal Resistance	Used in the last daisy-chained GV-System.

Connecting GV-Keyboard to One GV-System

There are four ways to connect the keyboard and one GV-System, using:

- 1 USB Port,
- 2 RS-232 Port (DC power required),
- 3 Terminal Block (DC power required), or
- 4 RJ-11 Port (DC power required)

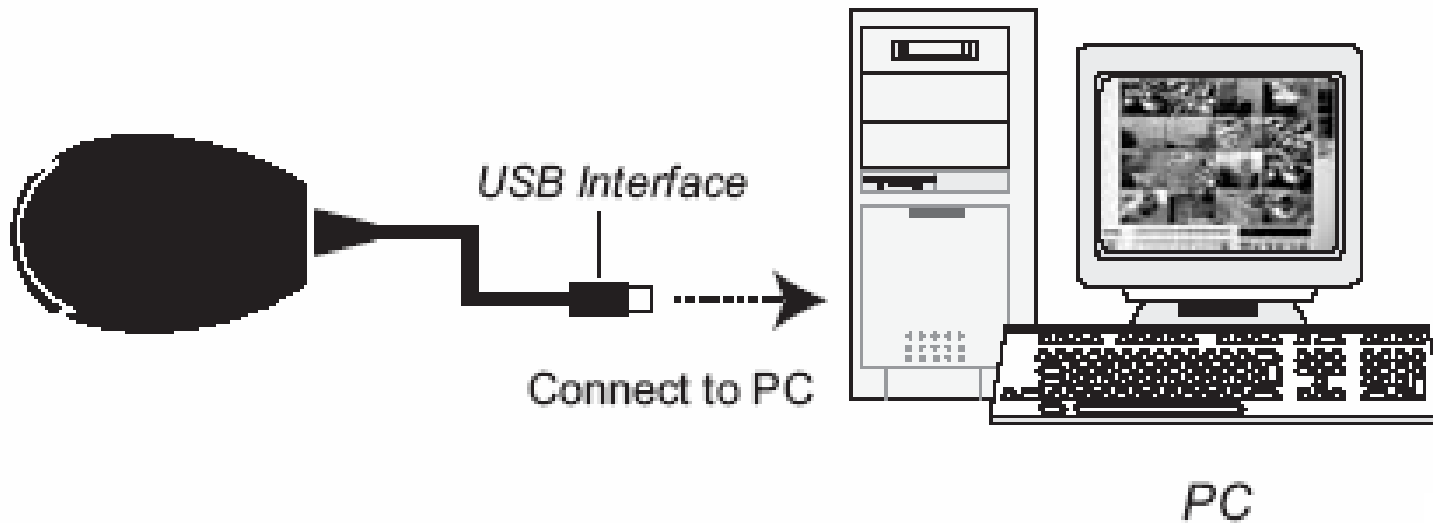


- 1 USB cable, 2 RS-232 cable, and 4 RJ-11(RS-485) cable are supplied with the GV-Keyboard.

GV-IR Remote Control



- The GV-IR Remote Control is used to control a GV-system. The operating distance is 7 meters or 23 feet.
- [Manual](#)



GV-Video Server



CE FC

- The GV-Video Server is designed to digitize one or two analog video signals, then compress them and send them over an IP network to be viewed on a mobile device, saved in a storage server or processed by a digital surveillance system.
- Different web-based configurations include:
 - Camera Live View, video recording, change video quality, zoom in/out, bandwidth control, image snapshot, PTZ control, I/O control, audio
- The video compression for this unit is MPEG4. This unit supports wireless 802.11 b/g

GV-Data Capture V3E



CE FC

- The GV-Data Capture V3E is the Ethernet version of the GV-Data Capture that gets information from POS, ATM, cashier system, or any other device providing text data, and overlays the information directly onto the live or recorded video images.
- The GV-Data Capture V3E communicates through the RS-232 or RS-485 connections.