

EB1304MOB DVR

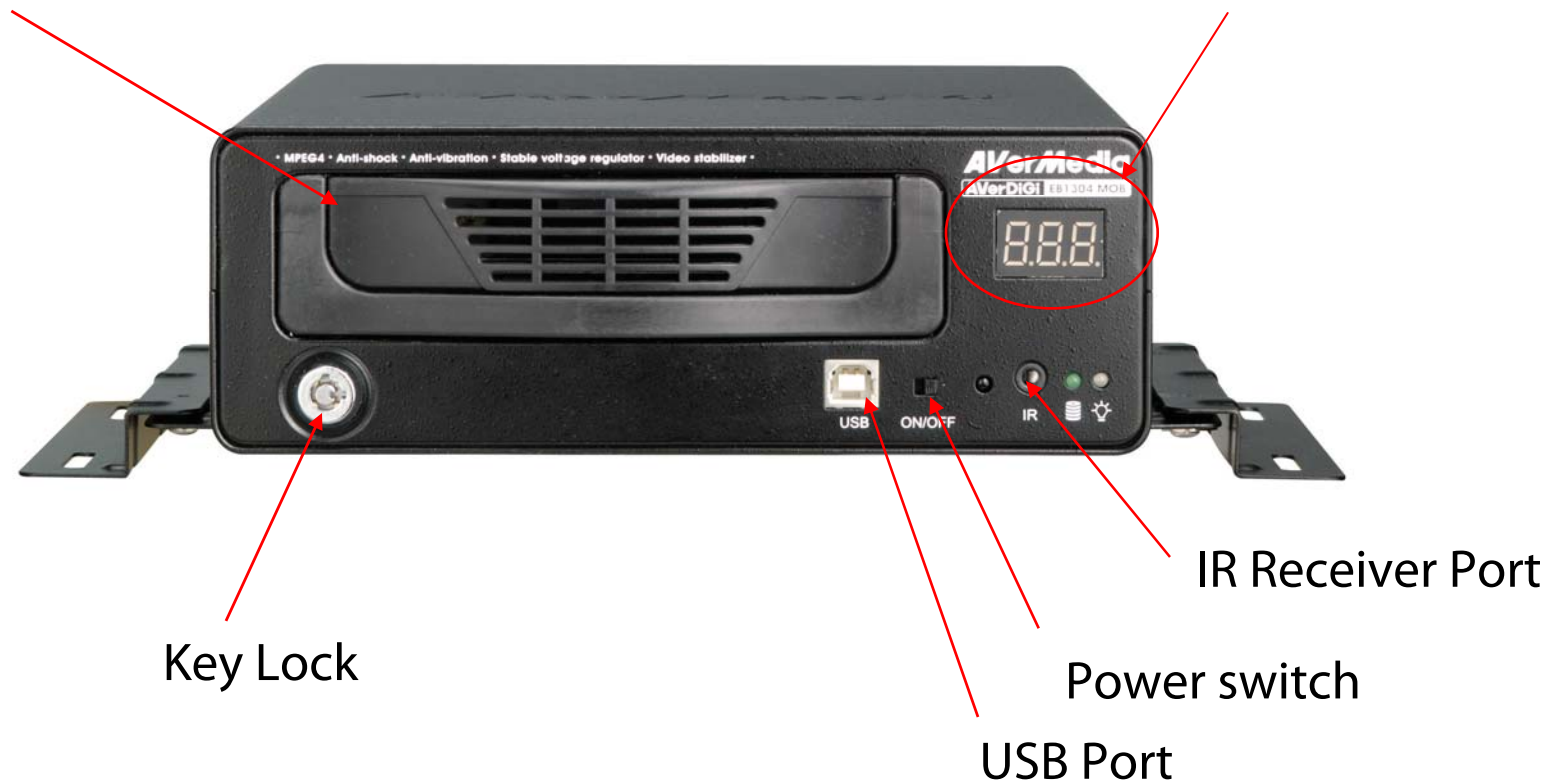
4 Channel Mobile MPEG-4 Digital Video Recorder



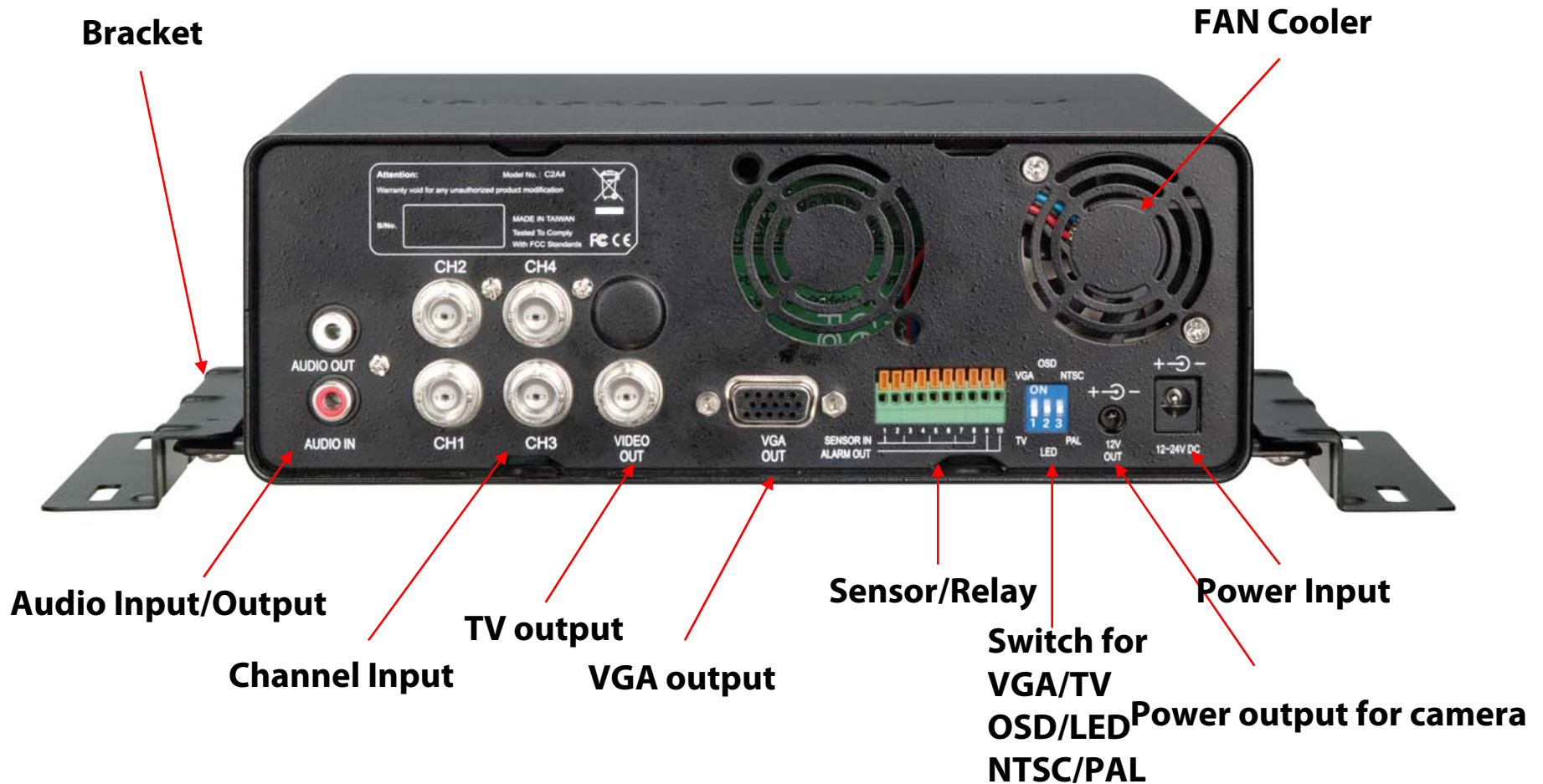
EB1304MOB Front Panel

Removable HDD Tray

7 Segment LED Display



EB1304MOB Back Panel



EB1304MOB Overview

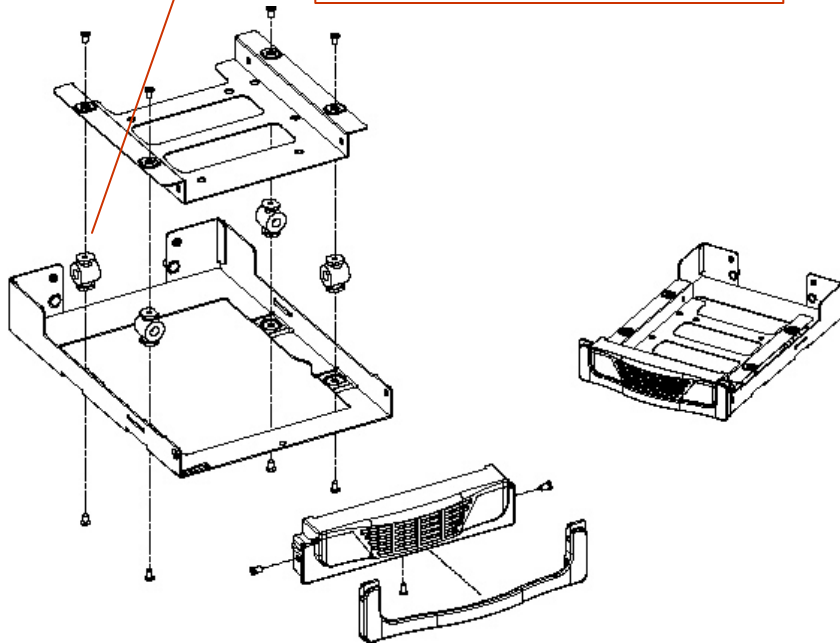
- AVerMedia EB1304MOB is a mobile DVR specifically designed for vehicles.
- EB1304MOB 4CH mobile DVR features:
 - MPEG4 compression
 - Dual hardware anti-vibration protection to withstand substantial vibrations generated by vehicles
 - Bundled powerful video stabilizer software for best recording quality
 - Protection circuit for peak voltages
 - Stable power supply to cameras
 - Auto-cooling system
 - Operation under low voltage
 - Standard accessories: IR cable, Indicator cable, and bracket provide the easiest way to control and set up for public transit applications.

Unique Selling Points

1. Economical Price
2. Protection Circuit for peak voltages
3. Stable Power Voltages for Cameras
4. TV or VGA output
5. Dual Anti-Vibration
6. Video Stabilizer
7. Auto-Cooling System
8. Operation even under low voltages

Dual Anti-Vibration

Rubber vibration insulator



Anti-vibration (Frequency 5-500Hz)

	EB1304MOB	Everfocus
Total Grms	1G	0.75G

Anti-shock (Pulse duration 11ms)

	EB1304MOB	Everfocus
Impact Acceleration	20G	8G



Bracket for shockproof

i-Stable → Bundle Video Stabilizer

- Remove video distortions caused by vehicle vibrations



Auto Cooling System

- Fan will automatically operate when it is over 50°C
- HDD will automatically stop recording when it is over 60°C
- Fan power on at adjustable temperature



Lower Voltage Operation

The EB1304MOB will continue operating even when the power supply falls below standard operating voltages.



Features

- MPEG-4 compression
- Connect to TV or VGA
- Real Time recording - up to 120 fps (CIF mode)
- Real Time play back - up to 120 fps (CIF mode)
- 1 audio input, 1 audio output
- Synchronized video and audio
- Support 2.5" & 3.5" hot-swappable hard disk
- System auto recover after power failure (watchdog function)
- On Screen Display (multi-lingual)
- Easy to use with remote control

Features (continued)

- 7 segments LED for in-time information
- Auto-cooling system
- Hardware double Anti-Vibration & Anti-Shock
- Software Video Stabilizer (iStable)
- Protection power circuit for peak voltages
- Stable power output for cameras
- Data archive with USB (slave)
- HDD bad sector skip mechanism
- IR receiver extension cable & Indicator cable for recording status

Specifications

Video Format	NTSC/PAL
Video Input	4 cameras inputs (BNC), 1Vp-p/750hm
Video Output	TV/VGA
Video Compression	MPEG4
Recording Rate	D1: 15/5/1 (NTSC); 12/6/1 (PAL) CIF: 30/15/10/5/1 (NTSC); 25/12/5/1 (PAL)
Video Recording Resolution	D1: 720*480 (NTSC)/720*576 (PAL) CIF: 360*240 (NTSC); 360*288 (PAL)
Alarm Input	4 sensor input
Alarm Output	1 relay output
Hard Disk Storage	One 3.5" IDE hard disk (2.5" reserved)
Recording Mode	Always/Motion/Sensor
Playback Search	Time/Date/Event (Alarm/Motion/Video Loss)
Motion Detection	Yes
Video Loss Detection	Yes
Event Log	4096 event logs
Set up	On Screen Display set up & 7 segments LED
User Input Device	Remote Control
Audio	1 Input/1 Output
Backup	Removable hard disk (hot swap)
Power Source	DC 12/24 V